



BARE HYGIENE

GET BACK TO BUSINESS WITH BARE.



WHAT IS BARE?

Introducing a new concept in hand hygiene.

As we move into a redefined era of protection, our way of life has now changed. We are more aware, more diligent and more focused on our health than ever before.

With much of the responsibility placed on workplaces, retail spaces and venues to ensure adequate sanitisation methods are available, we have developed a range of permanent, premium solutions to complement interior environments.

BARE HYGIENE sets a new benchmark in both aesthetics and functionality, providing a range of versatile options to suit a variety of applications. With free standing, countertop and wall mounted units in the range, our team can work with you to select the best options for your space.

All our units are available in a range of finishes, including a white, black or seasoned oak laminate, or printed in a custom branded graphic.

BARE HYGIENE

Vogue Collection.

MODERN DESIGN MEETS TOUCH-FREE TECHNOLOGY

Designed to featured amongst a premium landscape, the Vogue Collection best suits retail precincts, restaurants and cafes looking to include a permanent and aesthetically pleasing hand sanitation option in their space. The range includes both floor standing and countertop designs all available in refined range of premium finishes.



BARE

vogue stand up

PRODUCT SPECIFICATIONS

With dual access to its automatic touch-free dispenser, the Vogue Stand Up is a great option for two-way traffic and thoroughfares. Its aesthetically pleasing design will suit entrance zones to various cafes, restaurants and shops and is available in both 1 litre & 5 litre capacity.

AUTO DISPENSER

DUAL ACCESS

4 X FINISHES AVAIL.

SELF STANDING

CUSTOMISED LOGO



BARÉ

vogue countertop

PRODUCT SPECIFICATIONS

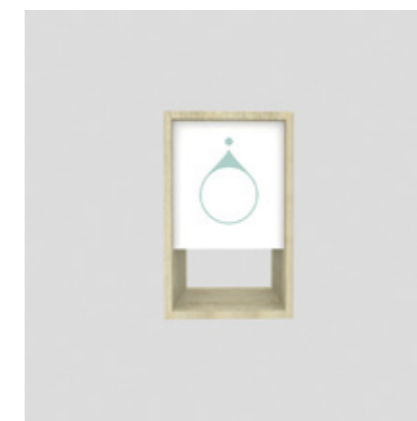
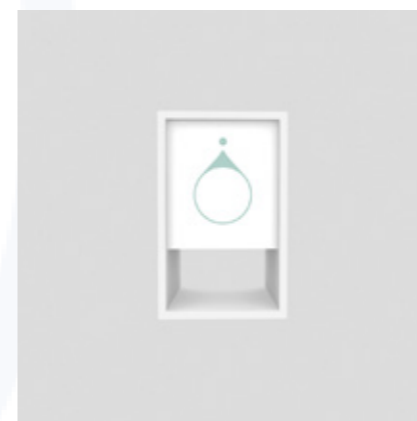
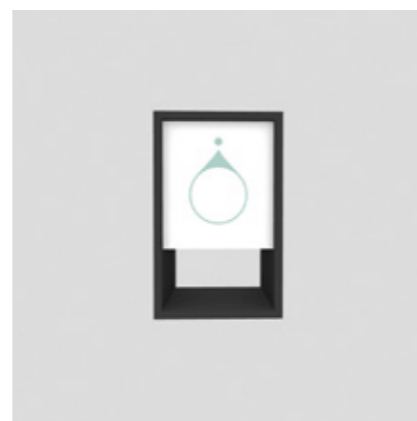
Space-saving practicality meets timeless design with the Vogue Countertop unit. Perfect for counters, reception areas or waiting rooms, the Vogue Countertop is fitted with a dual access automatic touch-free dispenser and is available in a range of premium finishes to suit any space.

AUTO DISPENSER

DUAL ACCESS

4 X FINISHES AVAIL.

CUSTOMISED LOGO



BARÉ

Product Specifications

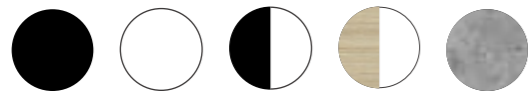
Vogue Countertop

DIMENSION: 445mmH x 262mmW x 420mmD

MATERIAL: Prelaminated Board

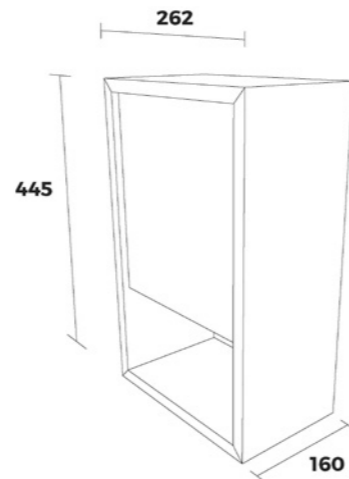
DISPENSER: Auto Touch Free

FINISHES AVAILABLE:



\$449 plus gst and delivery

Includes single AUTO dispenser & printed graphic.



Vogue Stand Up

DIMENSION: 1516mmH x 390mmW x 400mmD

MATERIAL: Prelaminated Board

DISPENSER: Auto Touch Free

FINISHES AVAILABLE:



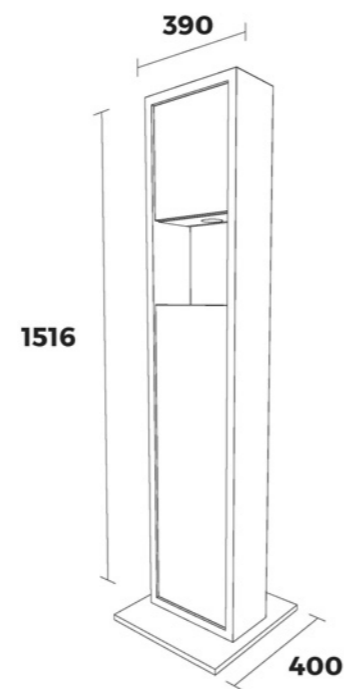
\$1199 1 litre plus gst and delivery

Includes single AUTO dispenser & printed graphic.

\$1259 5 litre plus gst and delivery

Includes single AUTO dispenser & printed graphic.

NB: 5 litre accepts liquid sanitiser only



The above prices exclude GST and delivery and are subject to availability.

Print ready artwork files to be provided or can be arranged by BARE Hygiene for an additional cost.

Units do not include sanitiser solution - all 1 litre units accept most brands of cartridge-free sanitiser gel/liquid.

5 litre bottles of hand sanitiser solution available for purchase.

Additional custom finishes are available upon request - enquire within.



AVAILABLE NOW
5 litre upgrade

THE VOGUE COLLECTION

- The Vogue Stand Up exhibits a slender profile, designed to accommodate a variety of high-traffic zones and thoroughfares.
- Available in an extensive range of prelaminated colours and finishes exuding a sense of quality and style.
- Fitted with an automatic touch-free delivery system, that does not require plumbing or access to mains power.
- A contemporary design that allows for dual points of access and operation.
- Acrylic drip tray with concealed catchment for easy cleaning and maintenance.
- And rubber feet for added floor protection and unit stability.
- The Vogue 5 provides over 6000 sprays before requiring refill and has the capacity to store an additional 5 litres of solution for reduced maintenance.
- The touch-free delivery system is powered by 4 AA batteries, easily accessible and interchangeable via the concealed lockable cabinet.
- Its contemporary design is custom finished to your bespoke brand requirements, offering ample space to apply your logo, messaging, or custom graphics.
- Also available is the Vogue Countertop model, designed to complement reception areas and service desks.





GET BACK TO BUSINESS WITH BARE

ENQUIRIES

1300 991 313

hello@barehygiene.com.au

www.barehygiene.com.au

BARE HYGIENE